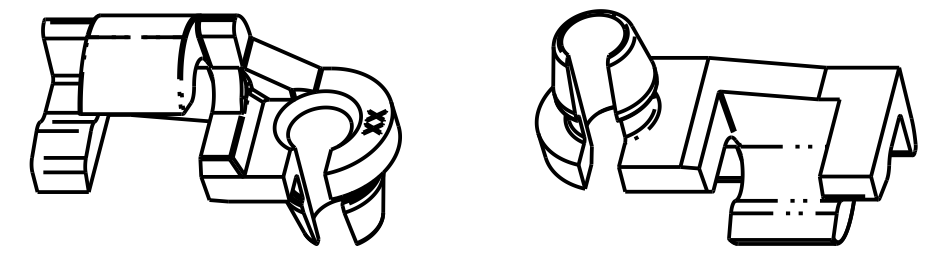
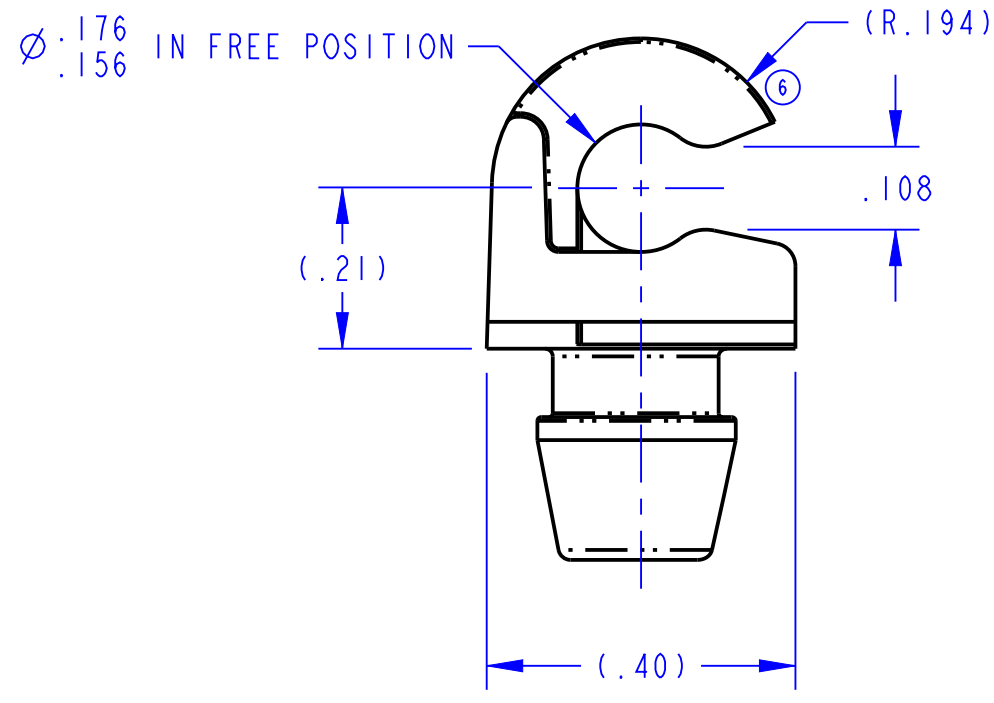
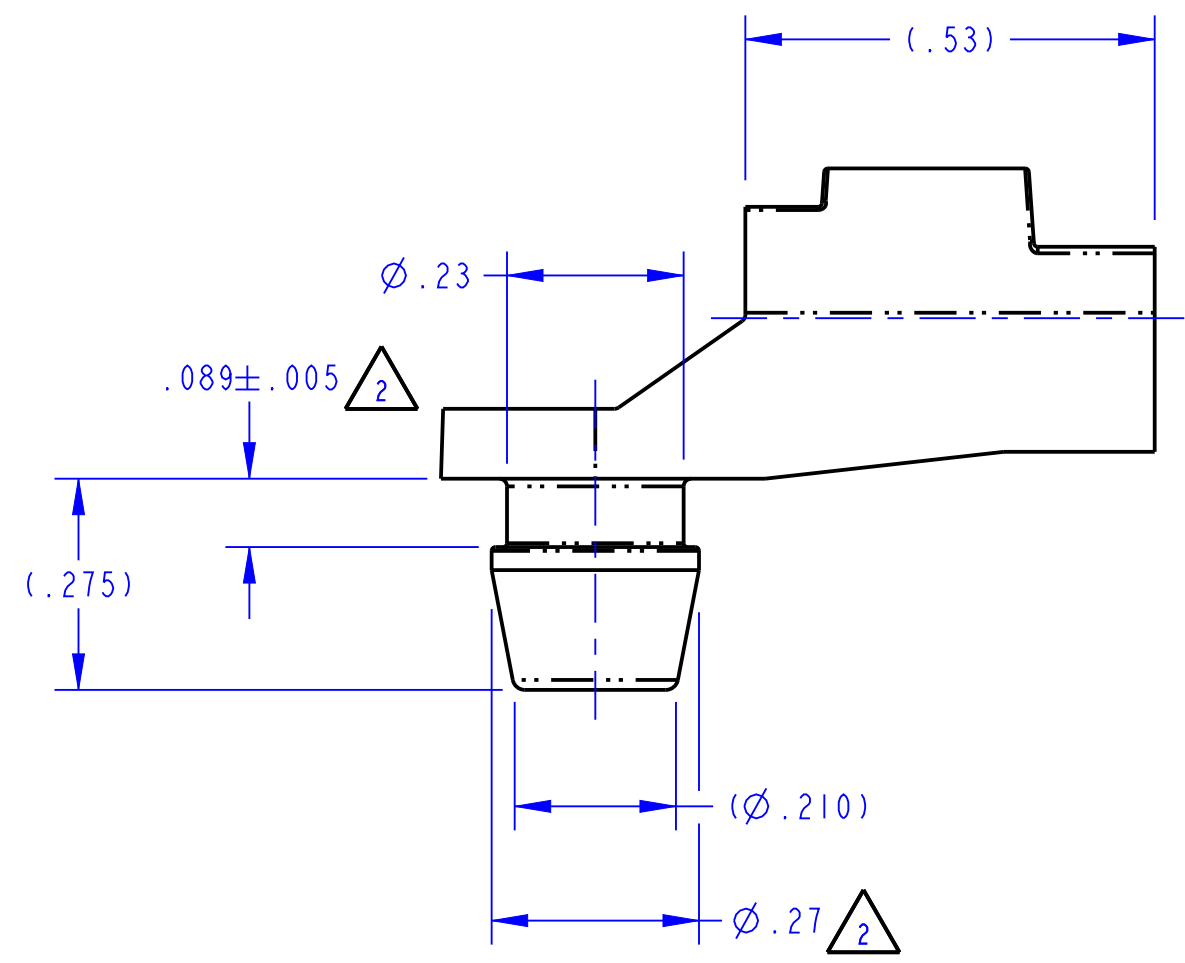
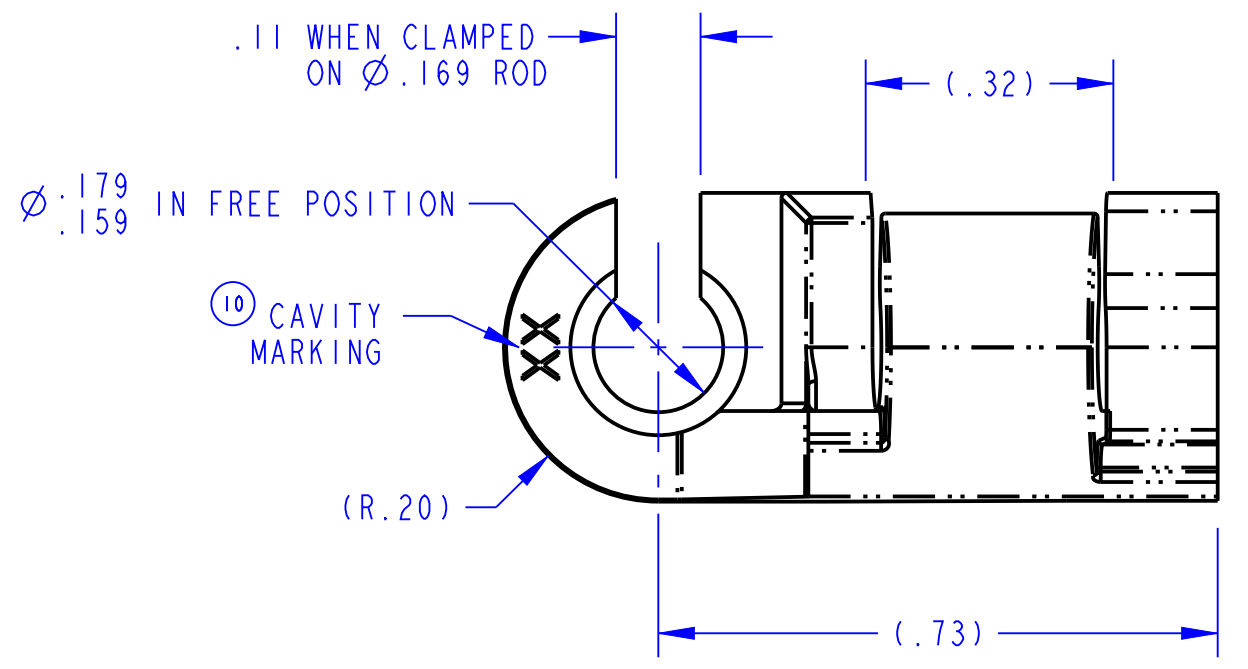


PART NUMBER	MATERIAL	COLOR	SHIPPING INFO
81387-00	ZYTEL 408L NC010 NYLON, HEAT STABILIZED PER ASTM D-789, TYPE 1, GRADE 3A	GREEN PANTONE 342-C	

REVISION	ECN	ECN BY	DESCRIPTION
1	8823	DFT 8/4/95	REDRAWN ON CAD
2	17842	BJB 8/4/00	REVISED AND REDRAWN
3	19555	GDE 01/15/03	REF'D ALL INSIGNIFICANT DIMS ADDED Ø .23; ADDED NOTE #3 REVISED NOTE #1 (EFC...01-EU WAS ARDEN FASTENER #15074-4)
4	19648	TEB 4/22/03	REVISED NOTE 1
5	14121	CJH 08/JUL/08	UPDATED FORMAT; ADDED BOM
6	20810	RLO 7-29-09	BOM;ADDED COLOR COLUMN, 81387-00 WAS 80387-00. REVISED GEOMETRY;REMOVED PROTRUDING LIP.ADDED 2ND ISO VIEW.
7	25382	GDE 10/13/09	REVISED: GEOMETRY (TO SUPPLIER REPLACEMENT SPEC),NOTES 1,2, DESCRIPTION,STD TOL. ADDED: SUUPLIER NOTES (4-7).
8	29484	GDE 07/07/10	UPDATED: GEOMETRY (TO REV 6), NOTES (1,2),DESCRIPTION. OMITTED: NOTES (4,5,6). CONVERTED BACK TO INCH.
9	39449	GDE 2016-06-20	UPDATED: MODEL TO BE MORE REPRESENTATIVE OF PART, DESCRIPTION. DELETED: NOTES (4,5,6).
10	39555	RLO 10-21-16	MATERIAL;FIT/Form SYMBOL WAS SIGNIFICANT CHARACTER. COLOR;ADDED PANTONE 42-C. UPDATED NOTES 1 & 7,PART DESCRIPTION.CHANGED SCALE OF ISO VIEW.ADDED CAVITY MARKING & SHIPPING INFO COLUMN.



ISO VIEWS (6) (10)
SCALE 2.00

NOTES: UNLESS OTHERWISE SPECIFIED; (9)

- (4) (7) (8) (10) 1. SUPPLIER PART APIM-3757.
- (8) (7) (2) PRONG TO FIT Ø .234-.239 HOLE.
- (3) MATERIAL CERTIFICATION REQUIRED WITH EACH SHIPMENT SHOWING: PO#, PART#, AND ASTM SPEC#.
- (7) (10) (7) PARTS TO BE SHIPPED WITH MEDIUM CONTAINING MOISTURE, TO FACILITATE NATURALIZATION OF THE PARTS IN TRANSIT. MEDIUM TO BE WETTED WITH TAP WATER AND SEALED IN BAG WITH THE PARTS.

<p>● INDICATES REQUIRED ASSEMBLY INFORMATION. UOS: THE -00 VERSION SHALL BE THE UNFINISHED VERSION OF PART SHOWN. UOS: ALL DIMENSIONS APPLY BEFORE COATING. (ASME Y14.5M, sec. 2.4.1)</p>		<p>TriMark 500 Bailey Avenue P. O. Box 350 New Hampton, Iowa 50659 U.S.A. Tel: 641-394-3188 Fax: 641-394-2392</p>																																													
<p>TOLERANCES UNLESS OTHERWISE SPECIFIED (UOS) ASME Y14.5M-1994</p> <table border="0"> <tr> <td>INCH</td> <td>MILLIMETER</td> </tr> <tr> <td>X.X = ±.1</td> <td>X = ±.3</td> </tr> <tr> <td>X.XX = ±.03</td> <td>X.X = ±.8</td> </tr> <tr> <td>X.XXX = ±.010</td> <td>X.XX = ±.25</td> </tr> </table>		INCH	MILLIMETER	X.X = ±.1	X = ±.3	X.XX = ±.03	X.X = ±.8	X.XXX = ±.010	X.XX = ±.25	<table border="1"> <tr> <td>DRAWN BY</td> <td>KPE</td> <td>04/11/90</td> </tr> <tr> <td>CHECKED BY</td> <td>KER</td> <td>12/19/90</td> </tr> <tr> <td>PROJECT</td> <td colspan="2">PRODUCT CODE</td> </tr> <tr> <td>87001-950</td> <td colspan="2">J01 (090-0100)</td> </tr> <tr> <td colspan="3">CUSTOMER</td> </tr> <tr> <td colspan="3">CUSTOMER PART NUMBER</td> </tr> <tr> <td colspan="3">DESCRIPTION</td> </tr> <tr> <td colspan="3">090-0100, CLIP, ROD, NYL, .188</td> </tr> <tr> <td>PART WEIGHT</td> <td>SURFACE AREA</td> <td>SIZE</td> </tr> <tr> <td>(0.002 LB)</td> <td>(1.57 IN²)</td> <td>C</td> </tr> <tr> <td colspan="2">SCALE</td> <td>PART NUMBER</td> </tr> <tr> <td colspan="2">4.0</td> <td>81387</td> </tr> </table>		DRAWN BY	KPE	04/11/90	CHECKED BY	KER	12/19/90	PROJECT	PRODUCT CODE		87001-950	J01 (090-0100)		CUSTOMER			CUSTOMER PART NUMBER			DESCRIPTION			090-0100, CLIP, ROD, NYL, .188			PART WEIGHT	SURFACE AREA	SIZE	(0.002 LB)	(1.57 IN ²)	C	SCALE		PART NUMBER	4.0		81387
INCH	MILLIMETER																																														
X.X = ±.1	X = ±.3																																														
X.XX = ±.03	X.X = ±.8																																														
X.XXX = ±.010	X.XX = ±.25																																														
DRAWN BY	KPE	04/11/90																																													
CHECKED BY	KER	12/19/90																																													
PROJECT	PRODUCT CODE																																														
87001-950	J01 (090-0100)																																														
CUSTOMER																																															
CUSTOMER PART NUMBER																																															
DESCRIPTION																																															
090-0100, CLIP, ROD, NYL, .188																																															
PART WEIGHT	SURFACE AREA	SIZE																																													
(0.002 LB)	(1.57 IN ²)	C																																													
SCALE		PART NUMBER																																													
4.0		81387																																													
<p>ANGLES X° = ±3° X.X° = ±1.0° X.XX° = ±.50°</p>		<p>This drawing and the information contained herein is the property of TriMark Corporation and shall not be used for any purpose without our written consent.</p>																																													
<p>DO NOT SCALE DRAWING</p>		<p>REF. T/M OP 4.20-2 FOR SUP. QUALITY REQ. REF. T/M OP 4.20-3 FOR INT. QUALITY REQ.</p>																																													