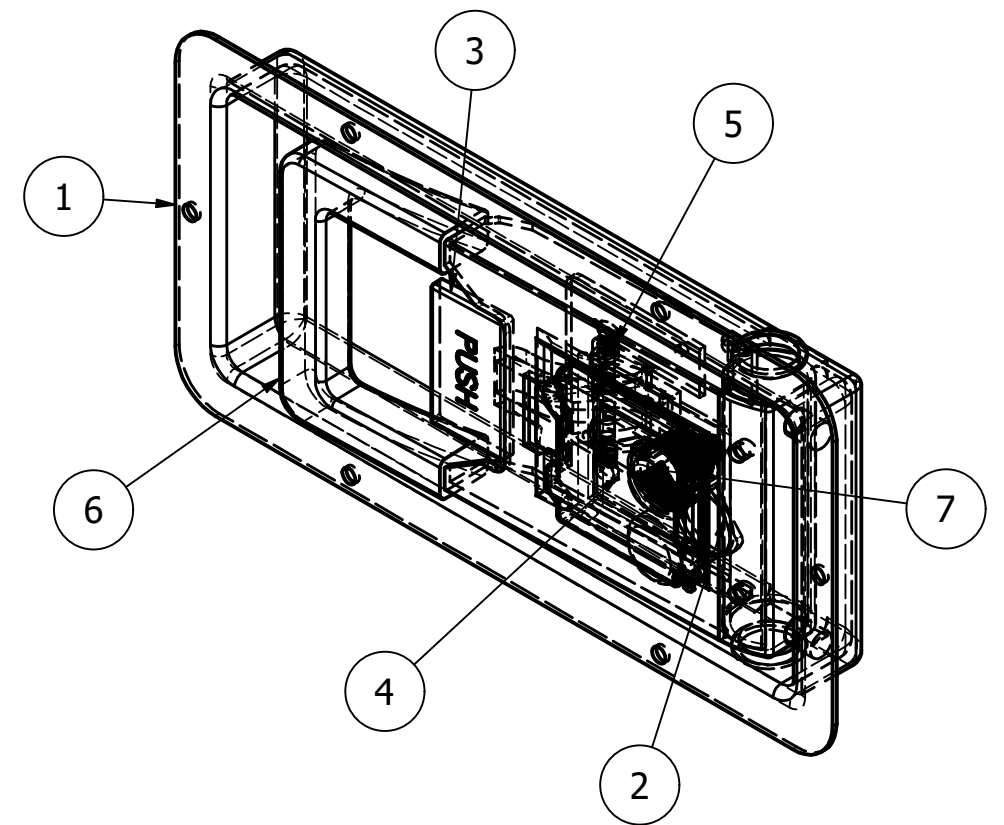
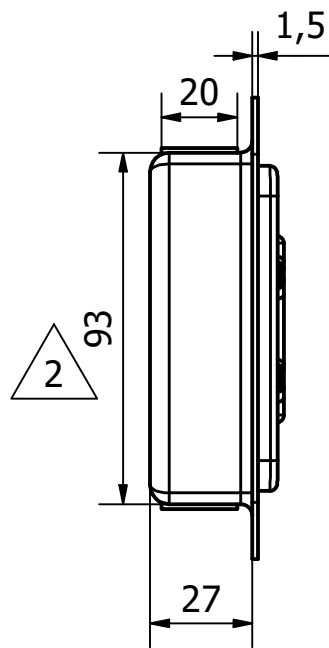
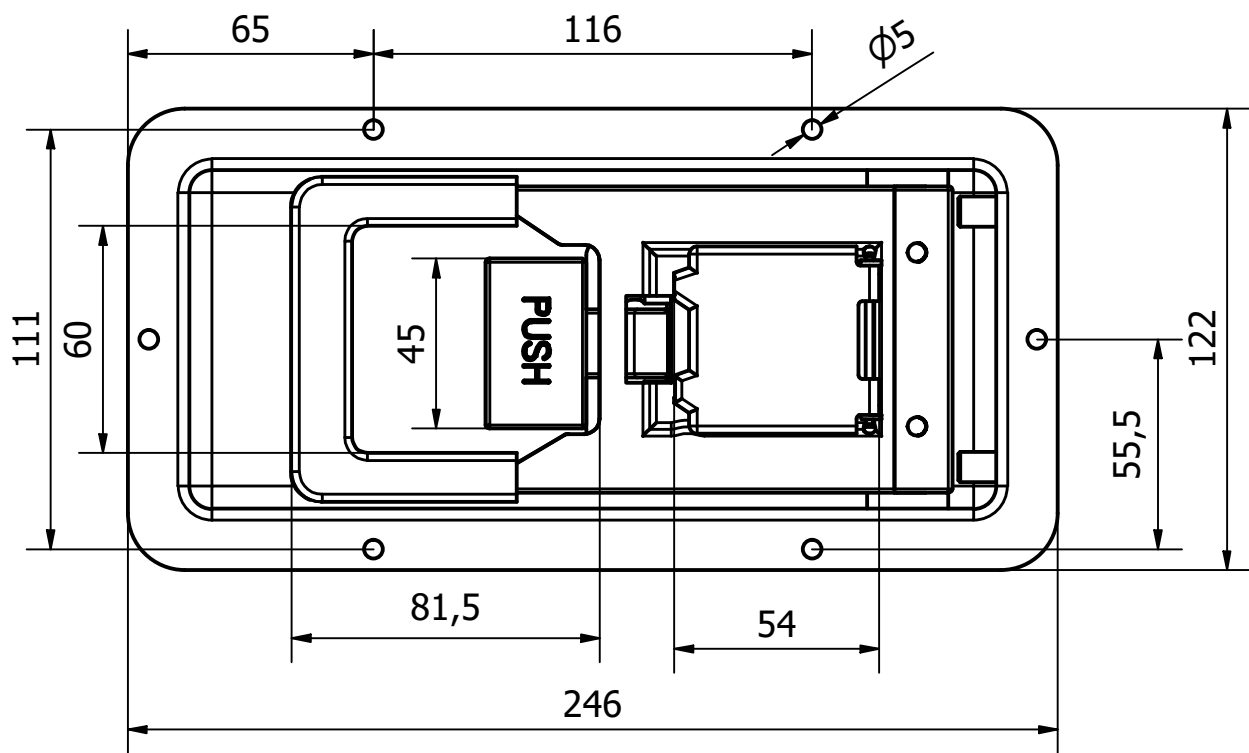
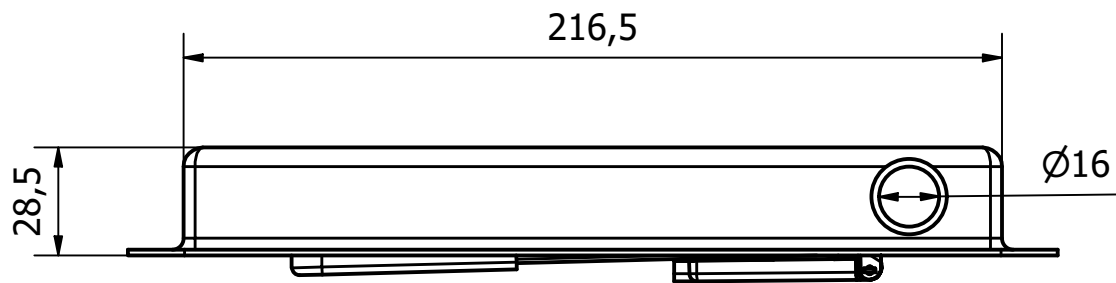


PARTS LIST			
ITEM	QTY	PART NUMBER	DESCRIPTION
1	1	9810-2901-1	S/STEEL- PRESSED PAN -Z/C PASSIVATE
2	1	9810-2901-2	RUBBER HANDLE STOPPER
3	1	9810-2901-3	S/STEEL- RECESSED MINI PUSH HANDLE- Z/C PASSIVATE
4	1	9810-2901-4	S/STEEL- PUSH HANDLE RIVIT
5	1	9810-2901-5	S/STEEL- SPRING
6	1	9810-2901-6	S/STEEL- PULL HANDLE WITH BUILT IN LOCK- Z/C PASSIVATE
7	1	9810-2901-10	S/STEEL - LOCK AND COVER -Z/C PASSIVATE



REV	DESCRIPTION	DATE	APPROVED
2	ADDED DIMS	04/07/2022	S.R
1	VALIDATION COMPLETE	07/01/2022	C.H

GENERAL TOLERANCES ON LENGTHS	
0.5 - 6 ± 0.1mm	
6 - 30 ± 0.2mm	
30 - 120 ± 0.3mm	
120 - 400 ± 0.5mm	
400 - 1000 ± 0.8mm	
1000 - 2000 ± 1.2mm	
2000 - 4000 ± 2.0mm	

ALBERT JAGGER LTD
 GREEN LANE
 WALSALL PHONE: 01922 471000
 WEST MIDLANDS FAX: 01922 648021
 WS2 8HG

THIS DRAWING & THE DESIGN SHOWN ARE THE PROPERTY OF ALBERT JAGGER LTD AND MUST NOT BE USED OR COPIED BY A THIRD PARTY WITHOUT PERMISSION

DRAWN BY: S.R
 CHECKED BY: C.H
 SCALE: 1:2
 MATERIAL: SEE TABLE
 MASS: 1.411 kg
 FINISH: SEE TABLE
 Date: 06/01/2022

ALBERT Jagger
 UNIVERSAL DOOR GEAR- S/STEEL, RECESSED MINI PUSH HANDLE
 9810-2901
 Edition: 2
 Sheet: 1 / 1