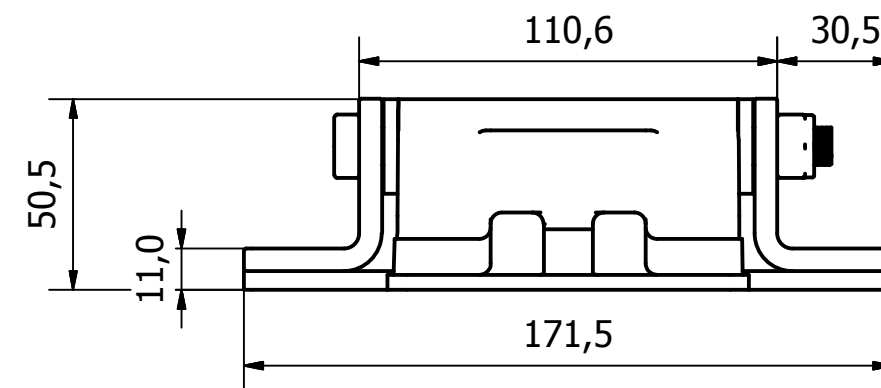
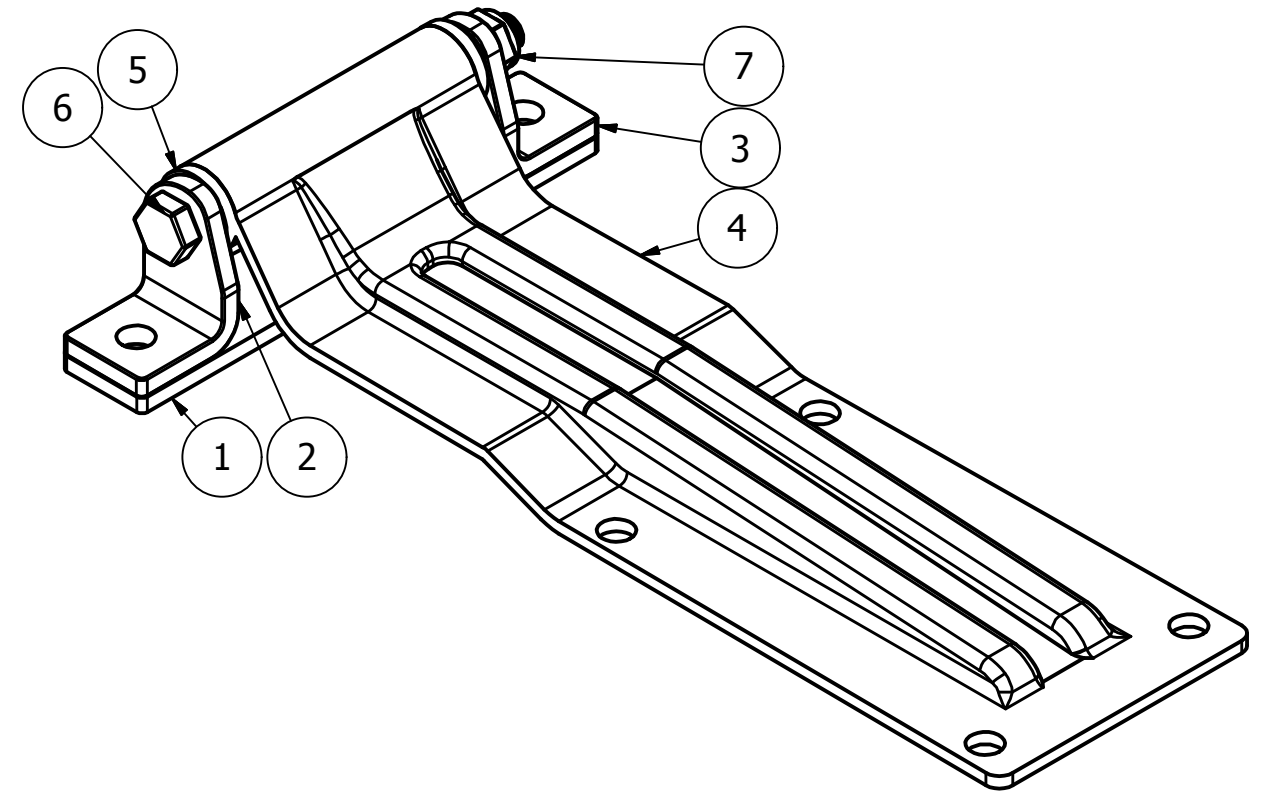


PARTS LIST			
ITEM	QTY	PART NUMBER	DESCRIPTION
1	1	9810-574-1	S/STEEL HINGE MOUNTING PLATE
2	1	9810-574-2	S/STEEL 90 DEG HINGE MOUNTING PLATE - RH
3	1	9810-574-3	S/STEEL 90 DEG HINGE MOUNTING PLATE - LH
4	1	9810-574-4	S/STEEL MOUNTING PLATE
5	2	9810-572-5	NYLON BUSH
6	1	9810-574-5	S/STEEL M10 BOLT
7	1	9810-572-7	S/STEEL M10 NYLOC NUT



PART No.	MATERIAL	FINISH
9810/573	MILD STEEL	Z/C PASSIVATE
9810/574	T304 S/STEEL	MIRROR POLISH

GENERAL TOLERANCES ON LENGTHS
 0.5 - 6 ± 0.1mm
 6 - 30 ± 0.2mm
 30 - 120 ± 0.3mm
 120 - 400 ± 0.5mm
 400 - 1000 ± 0.8mm
 1000 - 1200 ± 1.2mm
 2000 - 4000 ± 2.0mm

ALBERT JAGGER LTD
 GREEN LANE
 WALSALL PHONE: 01922 471000
 WEST MIDLANDS FAX: 01922 648021
 WS2 8HG

THIS DRAWING & THE DESIGN SHOWN ARE THE PROPERTY OF ALBERT JAGGER LTD AND MUST NOT BE USED OR COPIED BY A THIRD PARTY WITHOUT PERMISSION

DRAWN BY
 U.F

CHECKED BY
 A.P

SCALE
 1 : 2

MATERIAL
 SEE NOTE

MASS
 2.065 kg

FINISH
 SEE NOTE

Date
 13/03/2017

ALL DIMS IN MM UNLESS STATED DO NOT SCALE

APPROVED
 A.P

REAR VAN-DOOR HINGE - 270 DEG OPERATION

Revision
 1

Sheet
 1 / 1



9810-574

Edition
 1

Sheet
 1 / 1