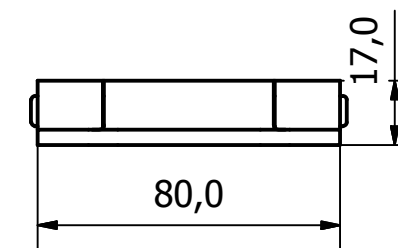
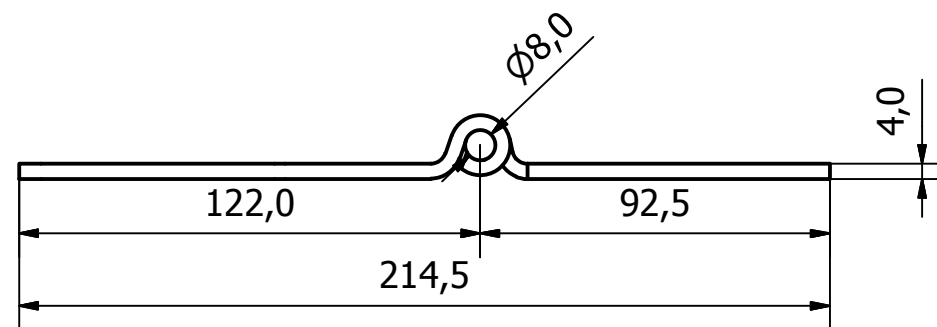
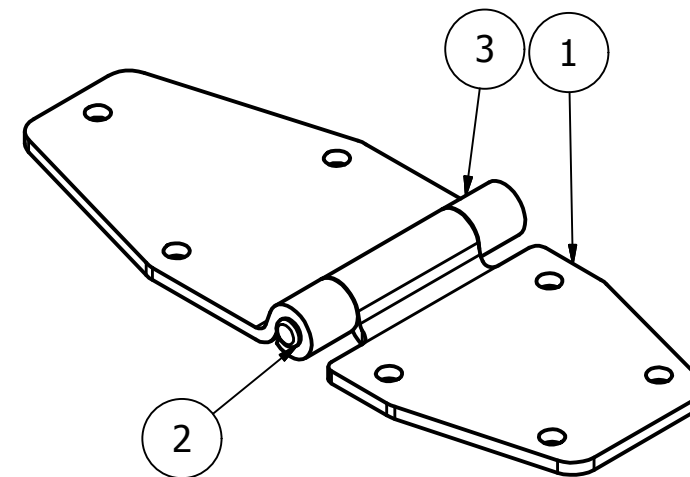
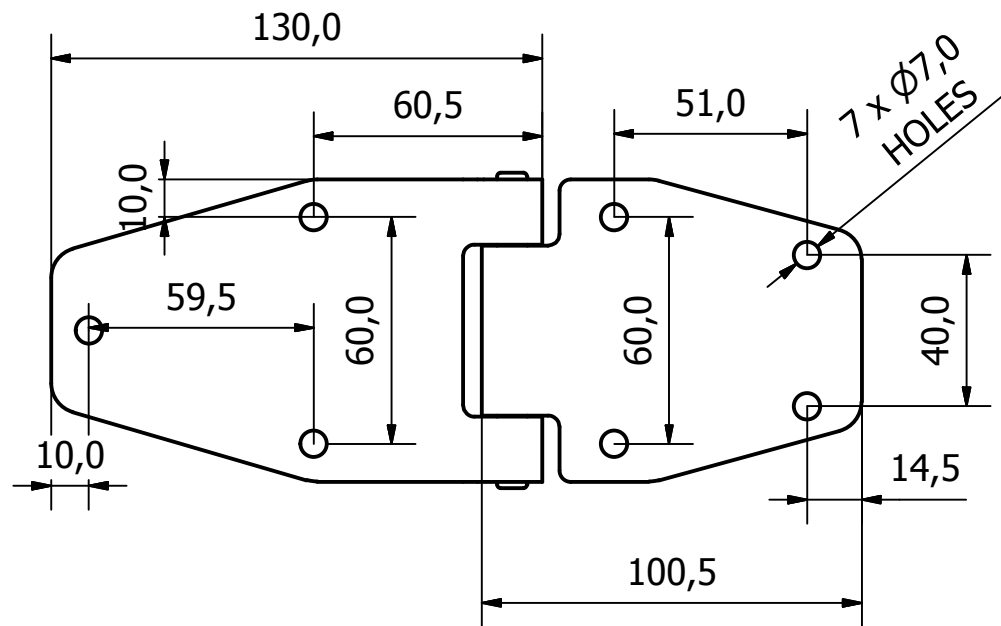


PARTS LIST			
ITEM	QTY	PART NUMBER	DESCRIPTION
1	1	9810-6360-1	HINGE MAIN PLATE - M/STEEL
2	1	9810-6360-2	HINGE PIN 83.5 O/A - M/STEEL
3	1	9810-6360-3	HINGE MOUNTING PLATE - M/STEEL



NOTE:  
HINGE DESIGNED FOR 180° APPLICATIONS  
BUT WILL ROTATE THROUGH 270°

GENERAL TOLERANCES ON LENGTHS
0.5 - 6 ± 0.1mm
6 - 30 ± 0.2mm
30 - 120 ± 0.3mm
120 - 400 ± 0.5mm
400 - 1000 ± 0.8mm
1000 - 1200 ± 1.2mm
2000 - 4000 ± 2.0mm

ALBERT JAGGER LTD  
GREEN LANE  
WALSALL PHONE: 01922 471000  
WEST MIDLANDS FAX: 01922 648021  
WS2 8HG

THIS DRAWING & THE DESIGN SHOWN  
ARE THE PROPERTY OF ALBERT JAGGER LTD  
AND MUST NOT BE USED OR COPIED BY A  
THIRD PARTY WITHOUT PERMISSION

DRAWN BY U.F  
CHECKED BY A.P

REV	DESCRIPTION	DATE	APPROVED
1	VALIDATION COMPLETE	14/10/16	A.P

SCALE 1:2	MATERIAL -	MASS 0.538 kg	FINISH Z/C PASSIVATE	Date 27/09/2016	ALL DIMS IN MM UNLESS STATED DO NOT SCALE	A3
				PRESSED HINGE - M/STEEL		
				9810-6360	Edition 1	Sheet 1 / 1