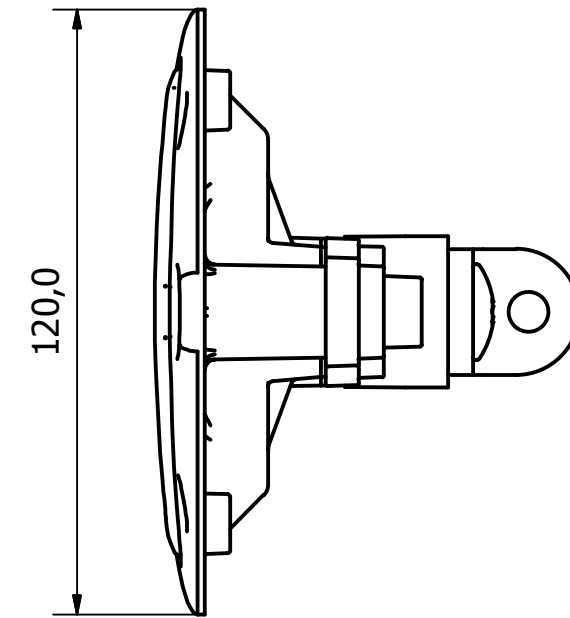
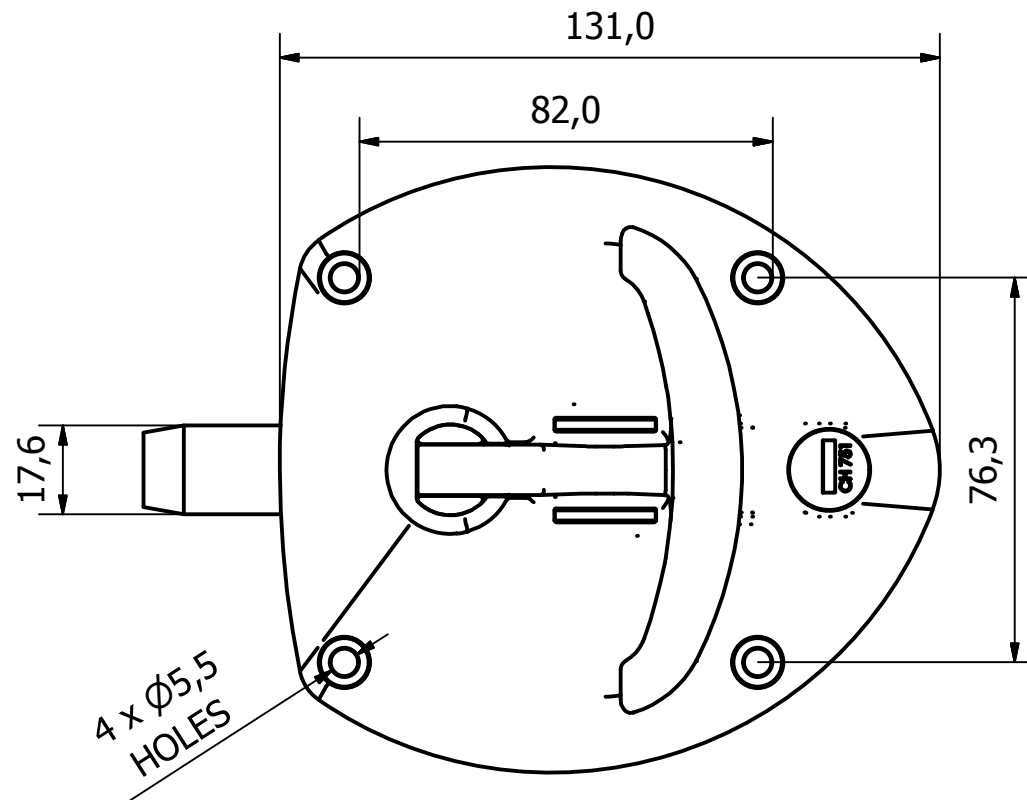
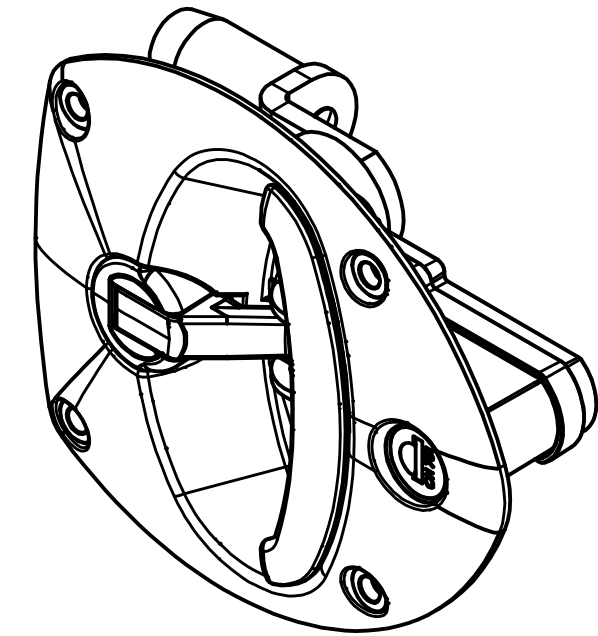
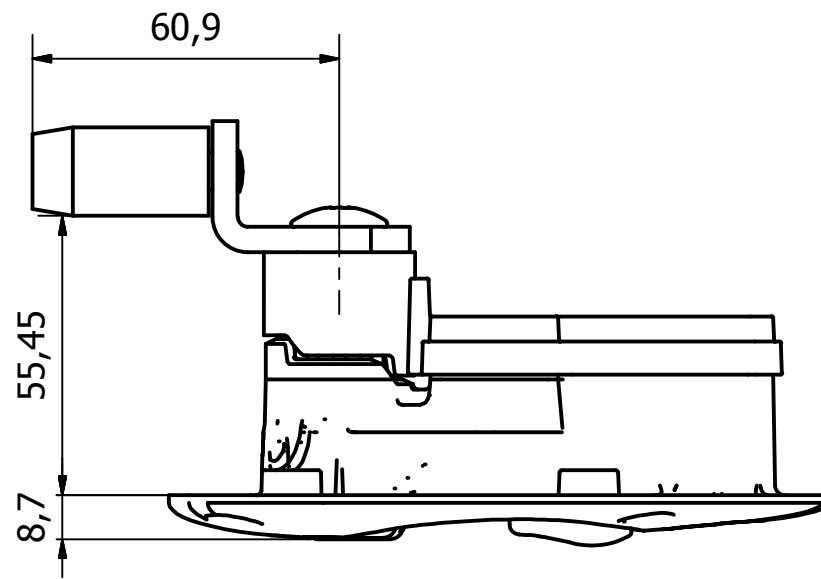
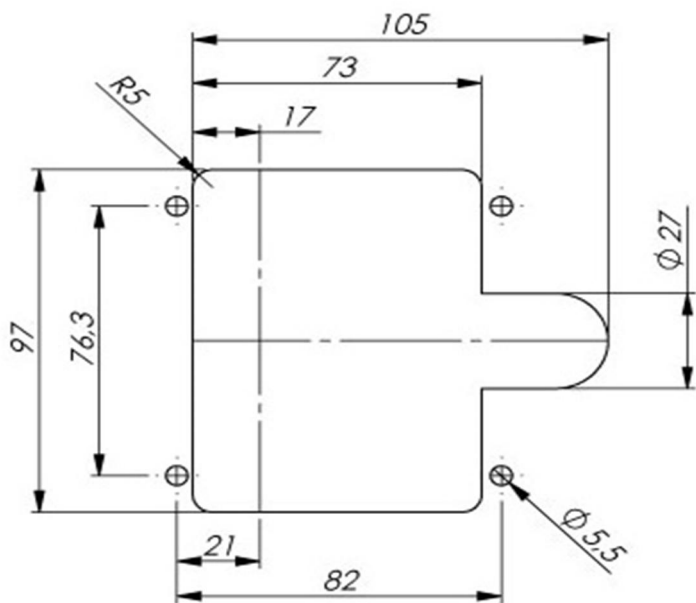


NOTE:

ZINC DIECAST HANDLE WITH BKV  
 133 PLASTIC HOUSING.  
 STAINLESS STEEL. SPRING  
 LOADED PADLOCK EYE.  
 COMPRESSION MECHANISM  
 SUPPORTED BY ROLLER  
 BEARINGS.  
 ADJUSTABLE CAM USED



CUT OUT DETAILS



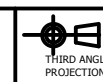
GENERAL TOLERANCES ON LENGTHS	
0.5 - 6 ± 0.1mm	
6 - 30 ± 0.2mm	
30 - 120 ± 0.3mm	
120 - 400 ± 0.5mm	
400 - 1000 ± 0.8mm	
1000 - 2000 ± 1.2mm	
2000 - 4000 ± 2.0mm	

ALBERT JAGGER LTD  
 GREEN LANE  
 WALSALL PHONE: 01922 471000  
 WEST MIDLANDS FAX: 01922 648021  
 WS2 8HG

THIS DRAWING & THE DESIGN SHOWN  
 ARE THE PROPERTY OF ALBERT JAGGER LTD  
 AND MUST NOT BE USED OR COPIED BY A  
 THIRD PARTY WITHOUT PERMISSION

DRAWN BY  
 U.F

CHECKED BY  
 A.P



SCALE  
 1:1.5

MATERIAL  
 SEE NOTE

MASS  
 0.132 kg

FINISH  
 P/C  
 BLACK

Date  
 13/10/2017

ALL DIMS IN MM  
 UNLESS STATED  
 DO NOT SCALE

A3



VECTOR 'LOCKING' T HANDLE - FIXED CAM

9850-275021-06-5561

Edition  
 1

Sheet  
 1 / 1